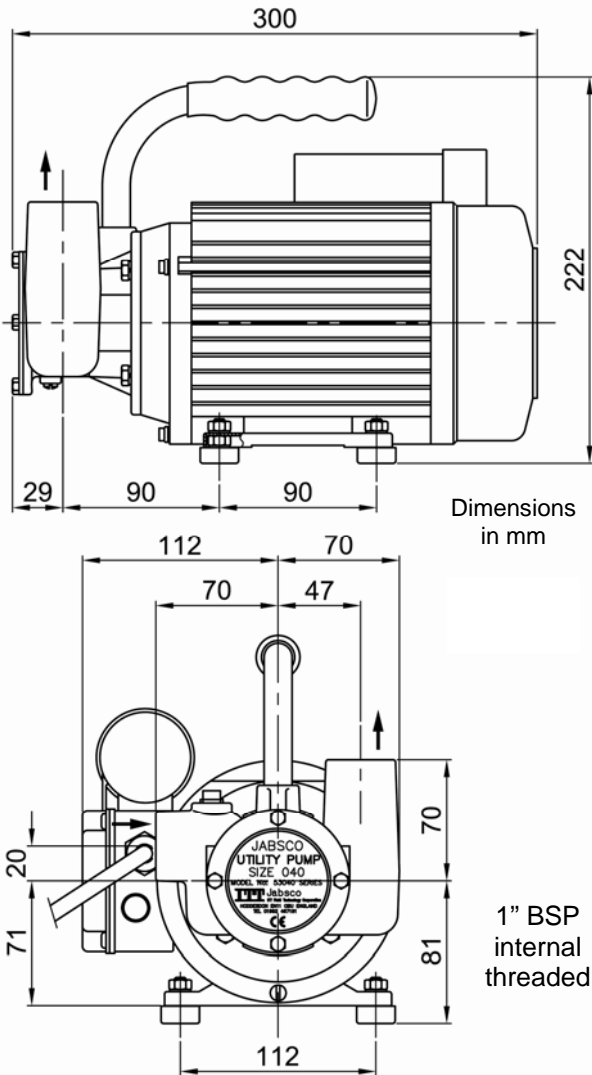
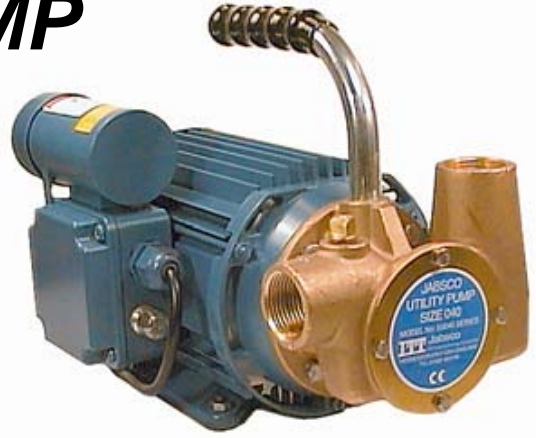
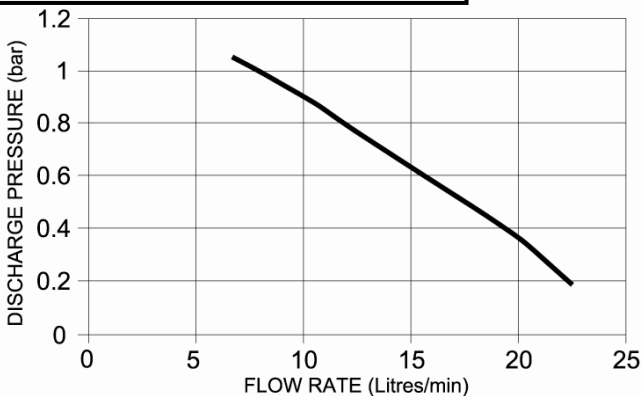


OIL TRANSFER PUMP

P40 Utility Pump



PUMP PERFORMANCE



PUMP MODEL

P40-N230 230 volt 1 phase 50Hz 0.25kW

P40-N400 400 volt 3 phase 50Hz 0.37kW

- ◆ Neoprene oil-resistant impeller fitted as standard.

SPECIFICATION

Pump body: bronze **Weight: 10.5kg**
 Shaft: AIS316 stainless steel
 Shaft seal: mechanical (carbon-ceramic)
 Impeller: Neoprene, oil resistant
 Max. recommended liquid viscosity: 200cSt. Check with your supplier if in doubt.

Motor:

4 pole, totally enclosed, fan ventilated, IP54 enclosure. Single-phase motors fitted with manual reset thermal overload cut-out.

- ◆ Rapid self-priming up to 4 metres vertical lift
- ◆ Handles hard and soft solids up to 4mm in size
- ◆ Can pump up to 90% entrained air
- ◆ Up to 30 minutes dry running protection
- ◆ Quick and simple to maintain
- ◆ Light, compact, portable and tough
- ◆ Also available: Higher flow versions for liquid viscosity up to 1000 cSt.

WARNING

Explosive hazard. Do not pump gasoline, solvents, thinners, or other flammable liquids. To do so can cause an explosion resulting in injury or death

Performance figures are based on manufacturer's tests with warm lubricating oil and are not guaranteed for any particular application.

Product descriptions and specifications are subject to alteration without notice