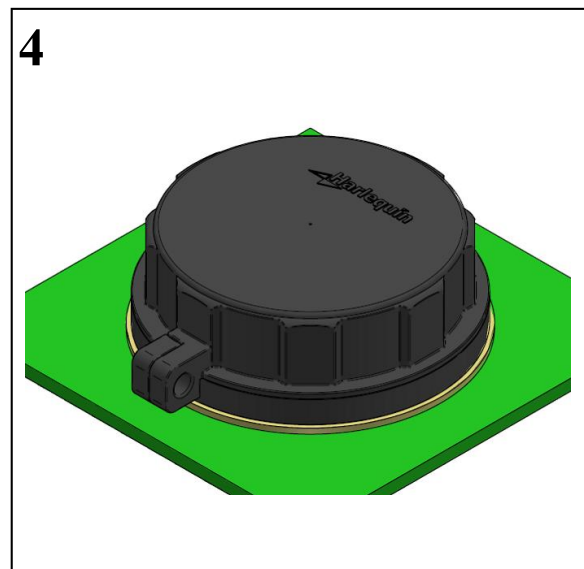
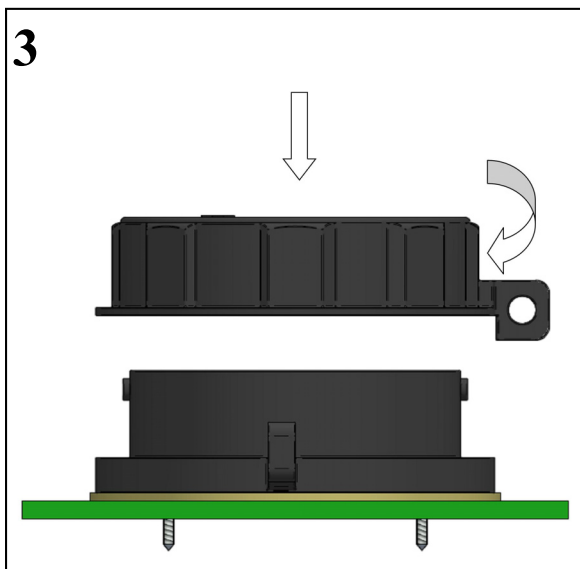
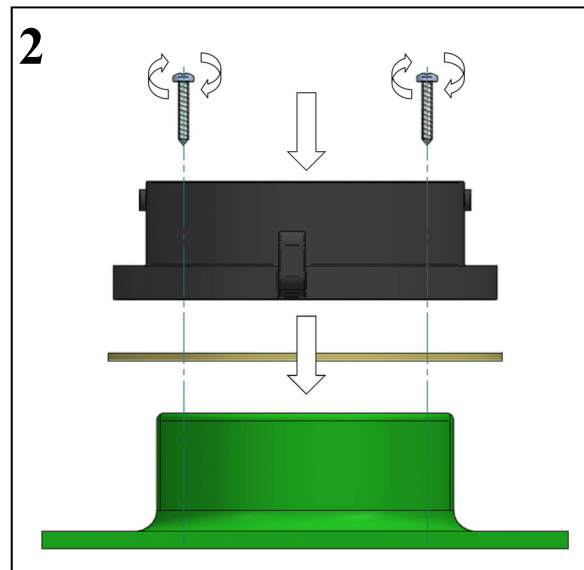
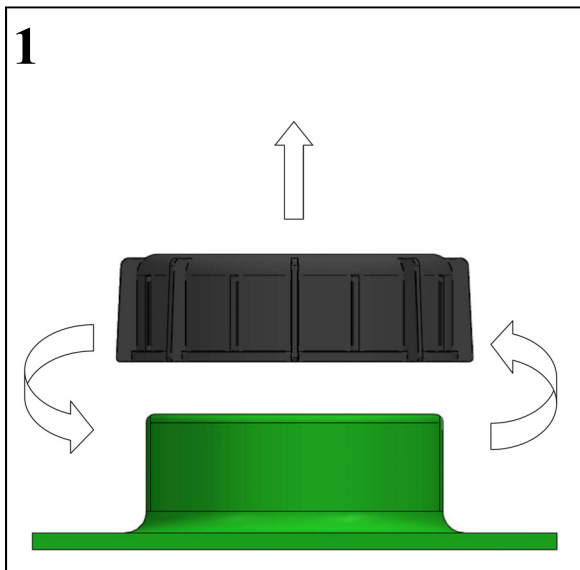


Harlequin Lockable 4" Lid Assembly Instructions



Parts

1 x Lockable 4" Lid - Upper
1 x Cork Washer

1 x Lockable 4" Lid - Lower
4 x Self Tapping Screws

Tools

Philips Heads Electric / Manual Screw Driver

Instructions

- Unscrew and remove existing 4" screw cap
- Clean and dry area around 4" neck
- Fit cork washer around 4" neck
- Neatly position lower part of lockable lid on top of cork washer and securely fasten to tank using 4x self tapping screws (Ensure that the orientation of the locking lugs does not obstruct the attachment of a padlock)
- To fit the upper part of the lockable lid, simply place the lid on the lower part as orientated above (3) and turn clockwise