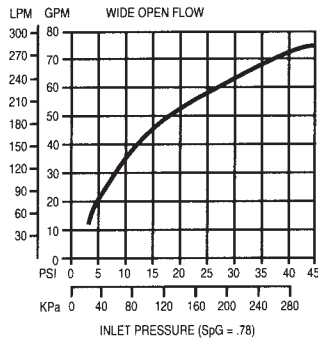


HUSKY VIII

HIGH VOLUME AUTOMATIC SHUT-OFF NOZZLE

Husky VIII Nozzle:

- Automatic shut-off nozzles for Truck Stop and other High Volume applications.
- Husky VIII nozzle shuts off:
 - when the gas tank is full.
- Nozzle is equipped with unique Flo-Stop device that shuts off nozzle if it falls from fill tank or raises above the horizontal.
- Flow rates up to 75 GPM.
- Spout is reinforced with thick aluminum bushing that retains spout spring and keeps spout from



rounding-in—the two leading causes of clicking-off and spit-back spillage. Spout replacement is fast and easy.

- Old style spout without bushing available on request.



SPECIFYING INFORMATION

Model Number	Fuel	Hold-open Clip	Weight Lbs. (kg.)	Thread
173310	Diesel or Gasoline	yes	4.1 (1.86)	NPT
173338	Diesel or Gasoline	yes	4.1 (1.86)	BSP
503010 w/o bushing	Diesel or Gasoline	yes	4.0 (1.81)	NPT

CONSTRUCTION

Body	Aluminum
Disc	Viton® (Fluorocarbon)
Packing	Double O-Ring seal protected by fiber reinforced Teflon
Lever	One piece contoured steel
Inlet	1" NPT, BSP

PATENTS AND LISTINGS

Patent Nos.	4,596,278	4,809,753	4,658,987
Listings	U. L.	U.L.C.	

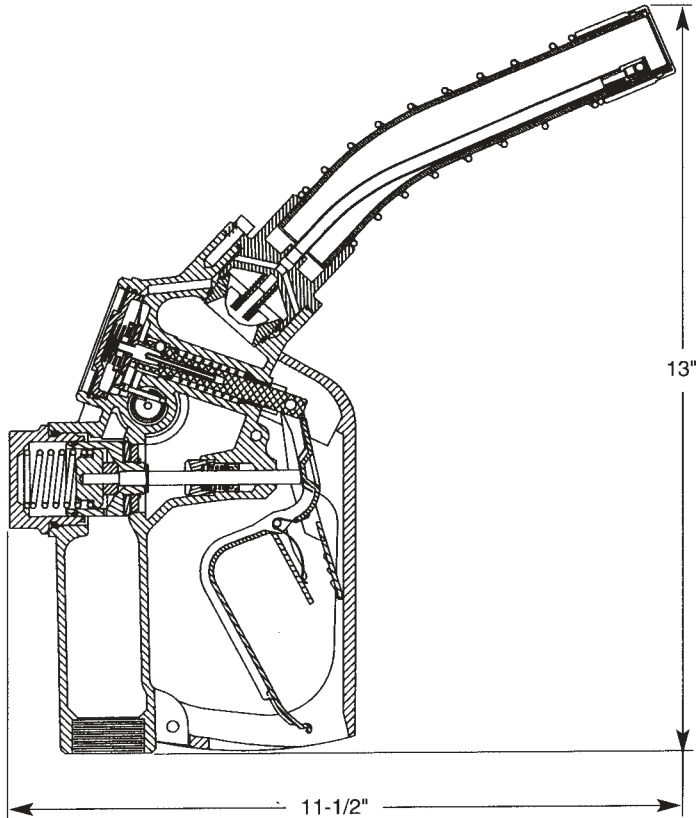
Viton® is a registered trademark of DuPont Dow Elastomers.



HUSKY VIII

HIGH VOLUME AUTOMATIC SHUT-OFF NOZZLE

- ACCESSORIES
- FEATURES
- DIMENSIONS



SAFE-T-BREAKS®	Model No.	Description
	2276	1"M x 1"F NPT
	1551	Scuff Guard

SWIVELS	Model No.	Description
	0087	1"M x 1"F
	0095	1"M x 1"F 70° Pump Swivel

SPOUTS	Model No.	Description
	2279	High Flow w/ spout bushing
	5017	High Flow w/o spout bushing

GUARDS	Model No.	Description
	4740	Full Grip Guard
	1808	Waffle Gas Guard

