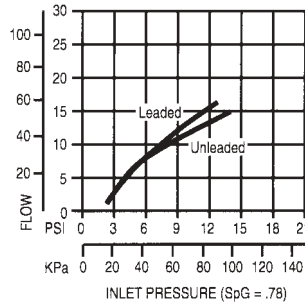


HUSKY 1-GS

AUTOMATIC SHUT-OFF NOZZLE

Husky 1-GS Nozzle:

- Automatic shut-off nozzle for farm, 12V skid tank pumps, or larger pumps without air eliminators.
- Husky 1-GS nozzle shuts off - when the gas tank is full.
- Not to be used with gravity tanks. Not legal for retail dispensing.
- Nozzle is equipped with unique Flo-Stop device that shuts off nozzle if it falls from fill tank or raises above the horizontal.
- Inlet size 1" (3/4" reducer bushing optional)



SPECIFYING INFORMATION

Model Number	Fuel	Hold-open Clip	Weight Lbs. (kg.)	Thread
045704	Unleaded	yes	3.0 (1.36)	NPT
045708	Unleaded	no	3.0 (1.36)	NPT
045703	Leaded	yes	3.1 (1.39)	NPT
045707	Leaded	no	3.1 (1.39)	NPT
045716	Unleaded	yes	3.0 (1.36)	BSP
045715	Leaded	yes	3.1 (1.39)	BSP

CONSTRUCTION

Body	Die Cast Aluminum
Disc	Viton® (Fluorocarbon)
Packing	Double O-Ring seal protected by Fiber Reinforced Teflon
Lever	One piece contoured steel with hard plastic cover
Inlet	1" NPT, BSP

PATENTS AND LISTINGS

Patent Nos.	4,331,190	4,809,753
Listings	U.L.	U.L.C.

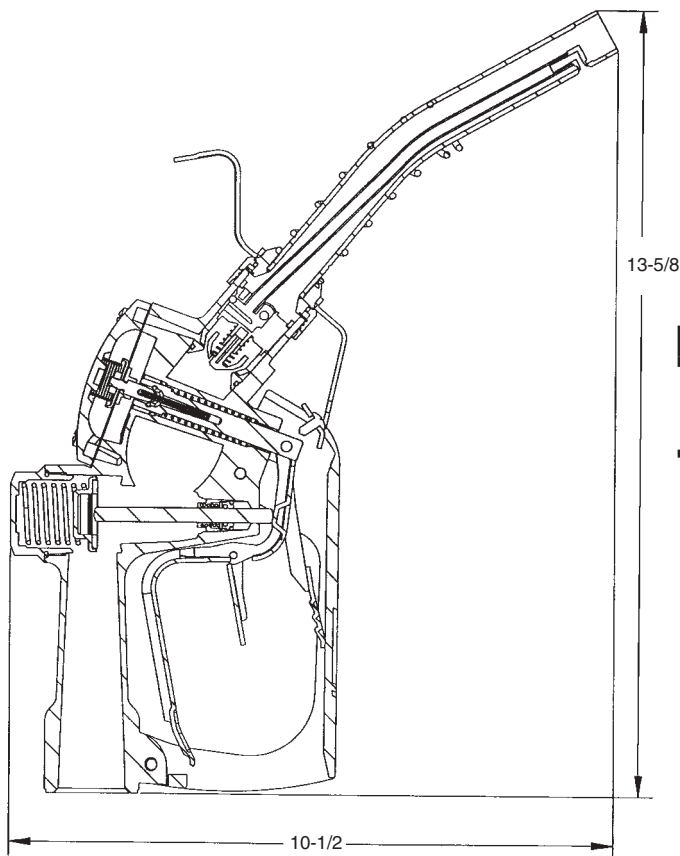
Viton® is a registered trademark of DuPont Dow Elastomers



HUSKY 1-GS

AUTOMATIC SHUT-OFF NOZZLE

- ACCESSORIES
- FEATURES
- DIMENSIONS



SPOUTS	Model No.	Description
--------	-----------	-------------

New Style	1473	Unleaded
	1471	Leaded
Old Style	1150	Unleaded
	1152	Leaded

SWIVELS	Model No.	Description
---------	-----------	-------------

0087	1"M x 1"F NPT
0095	1"M x 1"F 70° Pump Swivel
0350	3/4"M x 3/4"NPT (Use with reducer bushing)
4860	1" x 1" High Flow

SAFE-T-BREAKS®	Model No.	Description
----------------	-----------	-------------

2276	1"M x 1"F NPT
------	---------------

