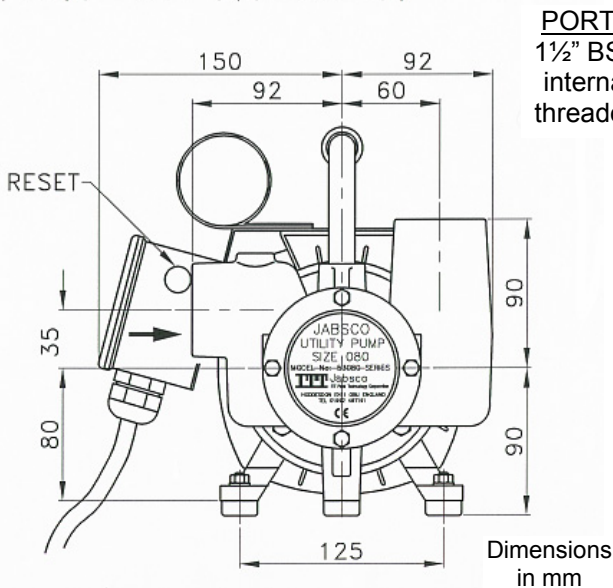
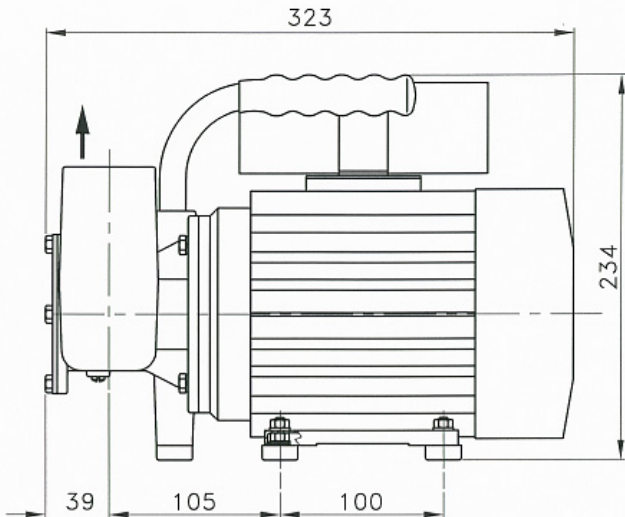
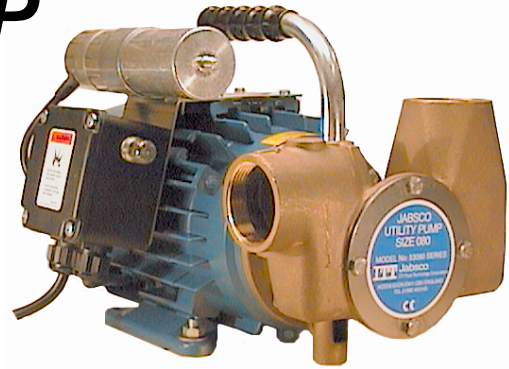


OIL TRANSFER PUMP

P80 Utility Pump



PORTS
1½" BSP
internal
threaded

Dimensions
in mm

PUMP MODELS

P80-N230

230 volt 1 phase 50 Hz

- ◆ Nitrile oil-resistant impeller fitted as standard.
 - ◆ Neoprene impeller version available.
- Also available: reduced flow versions for liquid viscosity up to 1000cp, and "Blackwater" versions for toilet waste discharge from boats. Check with your supplier.

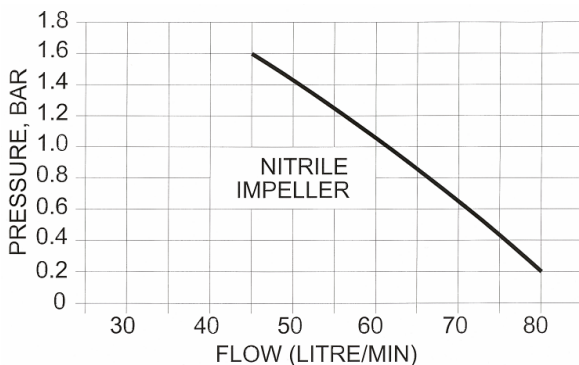
SPECIFICATION

Pump body: bronze
 Shaft: AISI316 stainless steel
 Shaft seal: mechanical (carbon-ceramic)
 Impeller: see pump models above
 Max. recommended liquid viscosity: 200cSt. Check with your supplier if in doubt.
Motor: 0.55kw, 1400rpm, totally enclosed, fan ventilated, IP55 enclosure. Single-phase motors fitted with manual reset thermal overload cut-out.

Weight: 17kg

- ◆ Rapid self-priming up to 4 metres vertical lift.
- ◆ Handles hard and soft solids up to 8mm in size.
- ◆ Can pump up to 90% entrained air.
- ◆ Up to 30 minutes dry running protection.
- ◆ Quick and simple to maintain
- ◆ Light, compact, portable and tough

PUMP PERFORMANCE



WARNING

Explosive hazard. Do not pump gasoline, solvents, thinners, or other flammable liquids. To do so can cause an explosion resulting in injury or death

Performance figures are based on manufacturer's tests with water and are not guaranteed for any particular application

Product descriptions and specifications are subject to alteration without notice